

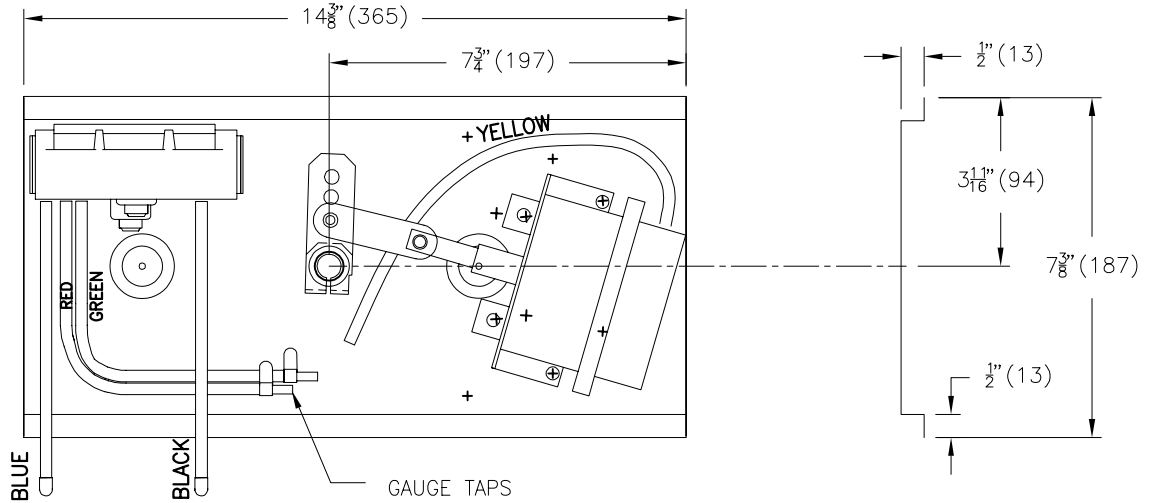
# PRICE<sup>®</sup>

## SUBMITTAL DRAWING



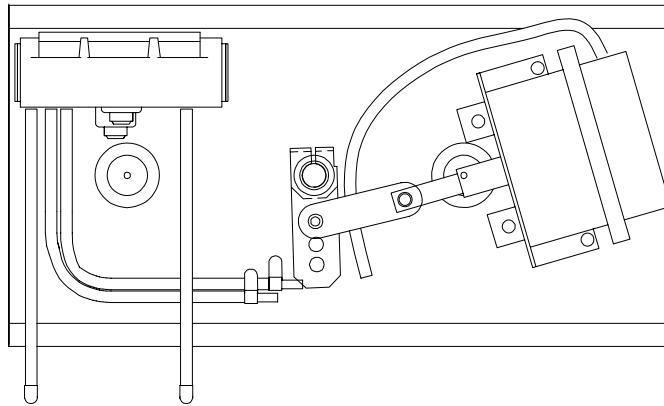
**TMS JOHNSON**  
*Trusted Partner • Reliable Solutions*

TMS Johnson, Inc. | 763-544-5442 | [www.tmsj.com](http://www.tmsj.com)  
Twin Cities: 2908 Nevada Ave N, New Hope, MN 55427  
Rochester: 3270 19th St NW, Suite 210, Rochester, MN 55901



PKIT NO

DAMPER NORMALLY OPEN



PKIT NC

DAMPER NORMALLY CLOSED

**NOTES:**

- 22GA. GALV. MOUNTING PLATE
- PRICE PNEUMATIC ACTUATOR MCP-80313102 5-10 PSI
- PRICE CP101 PNEUMATIC CONTROLLER
- PNEUMATIC TUBING & GAUGE TAPS INCLUDED

ALL METRIC DIMENSIONS ( ) ARE SOFT CONVERTED. IMPERIAL DIMENSIONS ARE CONVERTED TO METRIC AND ROUNDED TO THE NEAREST MILLIMETER.

<b>PROJECT:</b>		<b>PRICE</b> <sup>®</sup>
<b>ENGINEER:</b>		
<b>CUSTOMER:</b>		<b>PKIT</b> PNEUMATIC KIT FOR TERMINALS
<b>SUBMITTAL DATE:</b>	<b>SPEC. SYMBOL:</b>	245703 02/23/2006